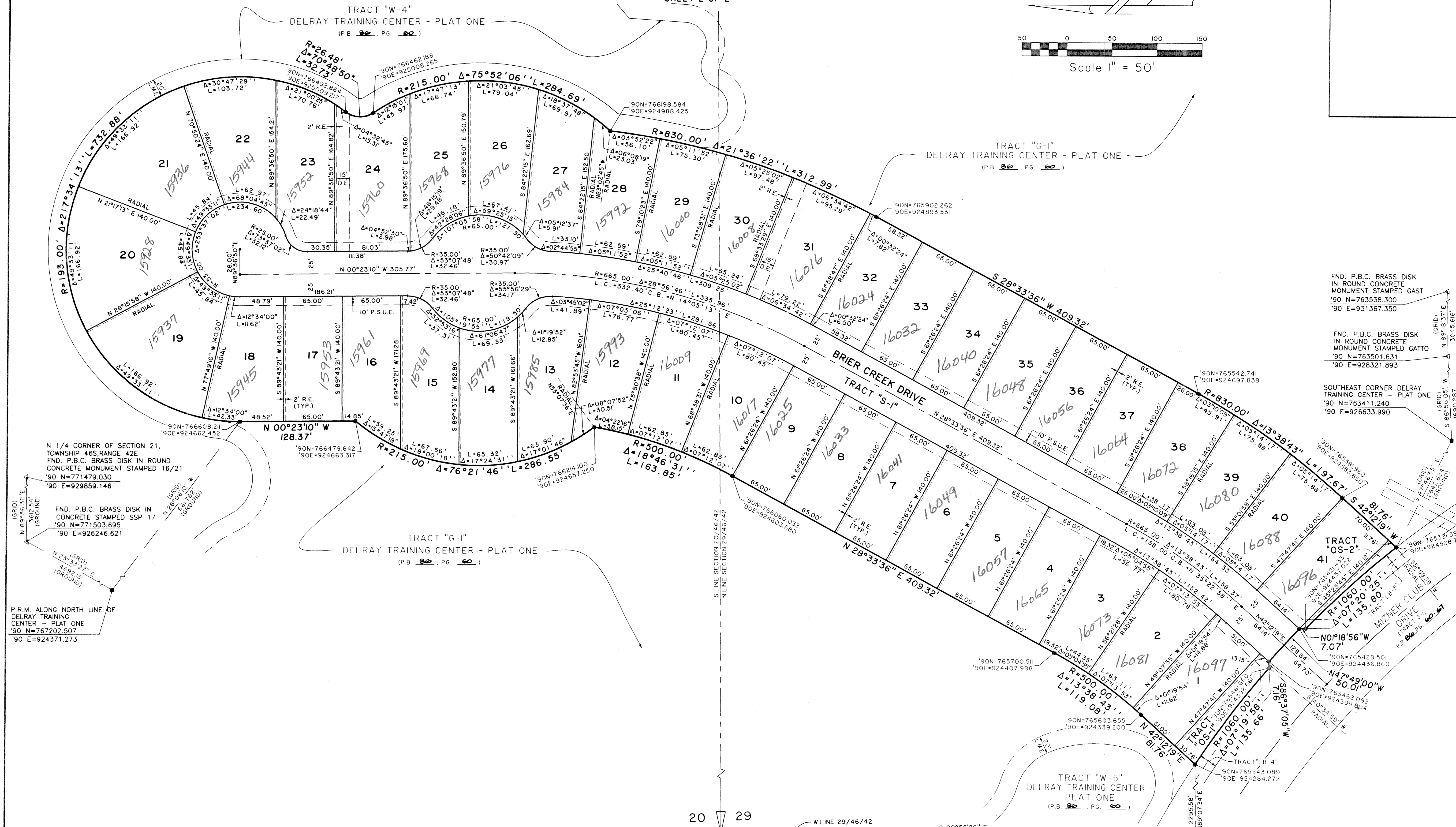
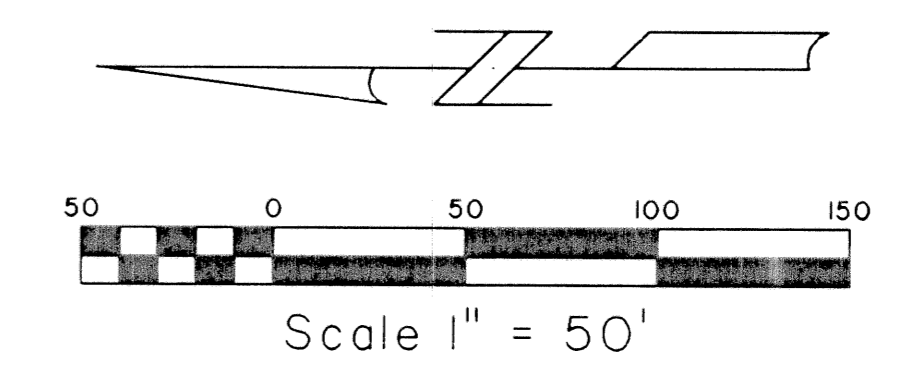


DELRAY TRAINING CENTER P.U.D. - PARCEL C

0664-008

156

A PLANNED UNIT DEVELOPMENT
 BEING A REPLAT OF PARCEL - C, DELRAY TRAINING CENTER - PLAT ONE, AS
 RECORDED IN PLAT BOOK 86, PAGES 60 THROUGH 67, PUBLIC RECORDS OF
 PALM BEACH COUNTY, FLORIDA, LYING IN SECTIONS 20 AND 29, TOWNSHIP
 46 SOUTH, RANGE 42 EAST, PALM BEACH COUNTY, FLORIDA.
 SHEET 2 OF 2



N 1/4 CORNER OF SECTION 21,
 TOWNSHIP 46S, RANGE 42E
 FND. P.B.C. BRASS DISK IN ROUND
 CONCRETE MONUMENT STAMPED 16/21
 '90 N=771479.030
 '90 E=929859.146

FND. P.B.C. BRASS DISK IN
 CONCRETE STAMPED SSP 17
 '90 N=771503.695
 '90 E=926246.621

P.R.M. ALONG NORTH LINE OF
 DELRAY TRAINING
 CENTER - PLAT ONE
 '90 N=767202.507
 '90 E=924371.273

FND. P.B.C. BRASS DISK
 IN ROUND CONCRETE
 MONUMENT STAMPED GAST
 '90 N=763538.300
 '90 E=931367.350

FND. P.B.C. BRASS DISK
 IN ROUND CONCRETE
 MONUMENT STAMPED GATTO
 '90 N=763501.631
 '90 E=928321.893

SOUTHEAST CORNER DELRAY
 TRAINING CENTER - PLAT ONE
 '90 N=763411.240
 '90 E=926633.990

FND. P.B.C. BRASS DISK
 IN ROUND CONCRETE
 MONUMENT STAMPED GAST
 '90 N=765391.960
 '90 E=924533.650

FND. P.B.C. BRASS DISK
 IN ROUND CONCRETE
 MONUMENT STAMPED GAST
 '90 N=765321.394
 '90 E=924528.722

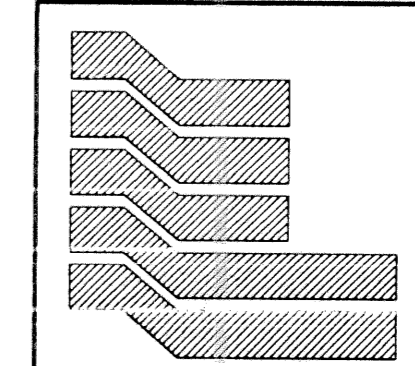
FND. P.B.C. BRASS DISK
 IN ROUND CONCRETE
 MONUMENT STAMPED GAST
 '90 N=765428.501
 '90 E=924436.860

FND. P.B.C. BRASS DISK
 IN ROUND CONCRETE
 MONUMENT STAMPED GAST
 '90 N=765462.082
 '90 E=924399.604

FND. P.B.C. BRASS DISK
 IN ROUND CONCRETE
 MONUMENT STAMPED GAST
 '90 N=765543.089
 '90 E=924284.272

COORDINATE NOTE:
 STATE PLANE COORDINATES SHOWN ARE GRID DATUM, NAD 83 1990
 ADJUSTMENT, FLORIDA EAST ZONE, COORDINATE SYSTEM 1983 STATE
 PLANE, TRANSVERSE MERCATOR PROJECTION
 LINEAR UNIT = US SURVEY FEET
 ALL DISTANCES ARE GROUND
 SCALE FACTOR = 1.000020427035
 GROUND DISTANCE X SCALE FACTOR = GRID DISTANCE
 BEARINGS AS SHOWN HEREON ARE GRID DATUM, NAD 83 1990
 ADJUSTMENT, FLORIDA EAST ZONE.

SW CORNER OF SECTION 20 &
 NW CORNER OF SECTION 29
 TOWNSHIP 46 S., RANGE 42 E.



Landmark Surveying & Mapping Inc.
 1850 Forest Hill Boulevard
 Ph. (561) 433-5405 Suite 100 W.P.B. Florida

**DELRAY TRAINING CENTER P.U.D. -
 PARCEL C**